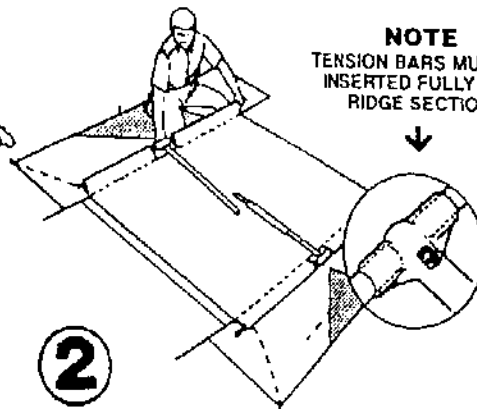
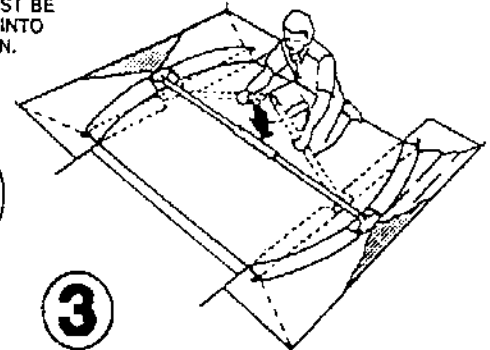


1
Stake tent in place. Keep floor taut and square. Keep ends of tent square and opening distance (A) equal at top and bottom.

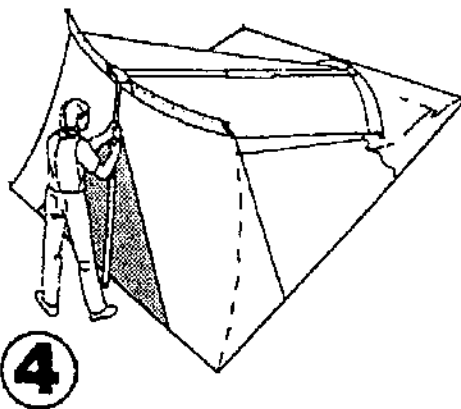


2
Install tension bars through pockets into ferrule on each ridge section.

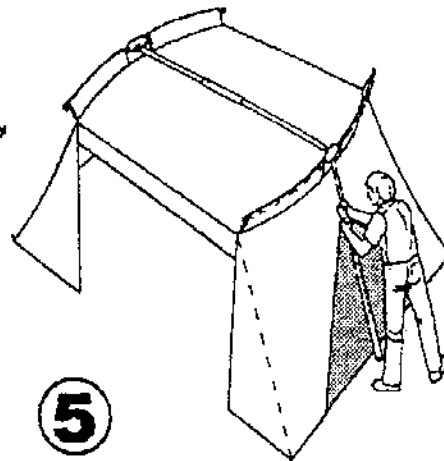
NOTE
TENSION BARS MUST BE INSERTED FULLY INTO RIDGE SECTION.



3
Match ball & socket on ridge sections and force downward until aligned. Slide sleeve to lock ridge. (This will tension tent roof)
CAUTION: Be certain to hold hand firm on one ridge half while sliding sleeve over ridge with other hand. Do not face directly over ridge while assembling.



4
Set upright to partial height on tent end. Install as shown.
Note: Open door to permit air to enter before raising upright. Set pole on top of stake.



5
Set opposite upright to partial height on tent end and install as shown. Lengthen both uprights fully until fairly tight.

FRAME PARTS

- 2- Ridge Poles
- 1- Sleeve
- 2- Long Uprights
- 4- Tension Bars
- 14- Stakes
- 1- Stake Bag
- 1- Tent Bag
- 1- Pole Bag

Optional 80"x70" Awnings are available and will zip onto either side of the Deluxe Super Port, providing maximum shade with not loss of ventilation.

CARE NOTES:

- Always store tent dry to avoid mildew Damage.
- Unzip windows and doors before storing.
- To clean tent, use water and a soft brush. Avoid using soaps and detergents which may damage the water repellency.
- Keep zippers clean to provide longer life. Occasional application of silicone spray to zipper coil will help.

- On rocky or rough soil, a protective tarp is recommended to prevent small punctures and abrasions.
- Prior to use, we recommend setting up your tent at home to become familiar with the set up procedure.
- To maximize performance and appearance of tent, we recommend that prior to use, the tent be set up with windows and doors zipped shut and sprayed lightly with water, then allowed to dry completely.

IMPORTANT! Tent fabrics are flammable.

Kirkham's does not recommend the use of open flame or fuel powered appliances inside of tents. Please take appropriate precautions around campfires and open flames.



3125 South State / Salt Lake City, Utah 84115
Toll Free 1-800-453-7756 / (801) 486-4161

SPRINGBAR® Tents and multiple use shelters are manufactured under one or more of the following patents: U.S. 3,128,781; 3,367,167; 3,699,986; D208,748; 2323,28; Canadian Pat. Nos. 718,689; 230/29443; 230/29,444; 799,223; 299,222; French Pat. No. 1,500,526; and German Pat. No. 1,557,390. Other U.S. and foreign patents pending SPRINGBAR® LEISURE PORT® SUPR-LYT® Registered Trademarks of AAA TENT & AWNING COMPANY U.S. Patent Nos. 3,874,396; 3,965,915.