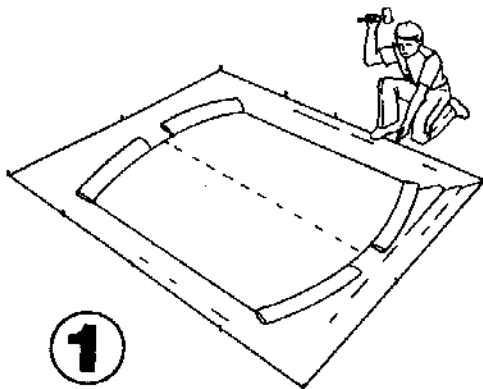
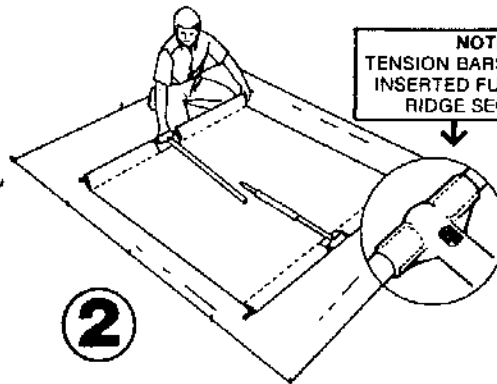


Instructions



1

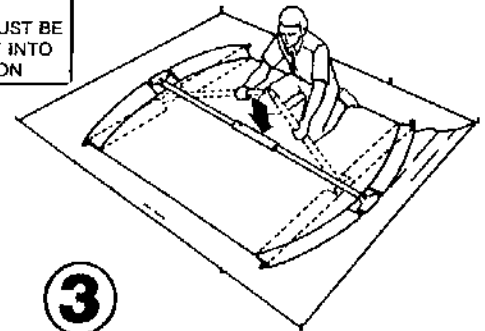
Stake tent in place. Keep floor taut and square. (Note: Appearance of Model 1220 or 1222 is slightly different, but procedure is identical).



2

Install tension bars through pockets into ferrule on each ridge section.

NOTE
TENSION BARS MUST BE INSERTED FULLY INTO RIDGE SECTION



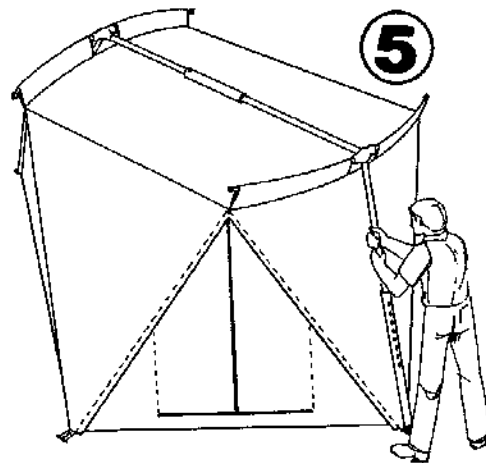
3

Match ball & socket on ridge sections and force downward until aligned. Slide sleeve to lock ridge. (This will tension tent roof.)



4

Set upright to partial height of tent end. Install as shown. Note: Open door to permit air to enter before raising upright (not necessary on Model 1220). Set pole on top of stake.



5

Set opposite upright to partial height of tent end and install as shown. NOTE: Model 1222 enables you to use closed or with outer flaps rolled back and tied for ventilation.

CAUTION: Be certain to hold hand firm on one ridge half while sliding sleeve over ridge with other hand. Do not face directly over ridge while assembling.

Frame Parts

- 1 - RIDGE, (2) Required
- 2 - SLEEVE, (1) Required
- 3 - TWO PC. UPRIGHT, (2) Required
- 4 - TENSION BAR, (4) Required
- 5 - STAKES,
 - (11) Required
 - (14) Required - 1220 or 1222

Care of Tent

A level and reasonably smooth tent site is desirable, both for your comfort and for being most appropriate for setting up a tent.

Try to take your tent down when it is completely dry. If necessary to roll it up while still wet, be sure to dry out as soon as possible. Fabric is treated mildew resistant but not mildew proof.

All Springbar tents have a 'dry finish' water repellent treatment that usually lasts for many years under ordinary conditions. For retreatment, use only a greaseless, mineral base 'dry finish' water repellent. Wash with water only, avoid detergents which are harmful to the water repellent. Floor is made of double coated vinyl nylon. Serves as moisture barrier as well as floor. May be wiped clean with a damp cloth.

Be cautious of spraying insecticides directly onto the fabric. Some are injurious to the material, and may reduce the effectiveness of the water repellent.

Important Notice

All Tent Fabrics are flammable. Most experienced campers are aware of this and the novice should take note that safe and sane precautions should be exercised. Open flames, camp fires, fuel for stoves, lanterns, and heaters of any kind should be handled in such a way as to not ignite the tent fabrics or contents such as sleeping bags, clothing, etc. Since there are many fabrics and treatments in use, all tentage should be handled with caution relative to fire. Tents made from the light cotton fabrics with heavy wax treatments will burn very volatile if ignited, because the waxes are, in most cases, more flammable than the cotton material. A 'fire resistant' agent added to the wax will reduce the intensity of combustibility but one should never assume a tent to be fireproof regardless of 'fire resistant' treatments. Synthetic materials treated or untreated should have the same consideration.

Limited Warranty

Kirkham's® Outdoor Products warrants all Springbar® tent purchases for ten years. If an item is found defective, it will promptly be repaired or replaced.

manufactured by
Kirkham's Outdoor Products



3125 South State / Salt Lake City, Utah 84115
Toll Free 1-800-453-7756 / Utah Collect 1-801-486-4161

SPRINGBAR® Tents and multiple use tents and shelters are manufactured under one or more of the following patents: U.S. 3,128,781; 3,367,348; 3,371,671; 3,699,986; D-208,748; 232,328; Canadian Pat Nos 718,689; 230/29443; 290/29444; 799,223; 299,222; French Pat. No 1,500,526; and German Pat. No. 1,557,390. Other U.S. and foreign patents pending. SPRINGBAR® LEISURE PORT® SUPR-LY1® Registered Trademarks of AAA TENT & AWNING COMPANY, U.S. Patent Nos 3,874,396; 3,965,915